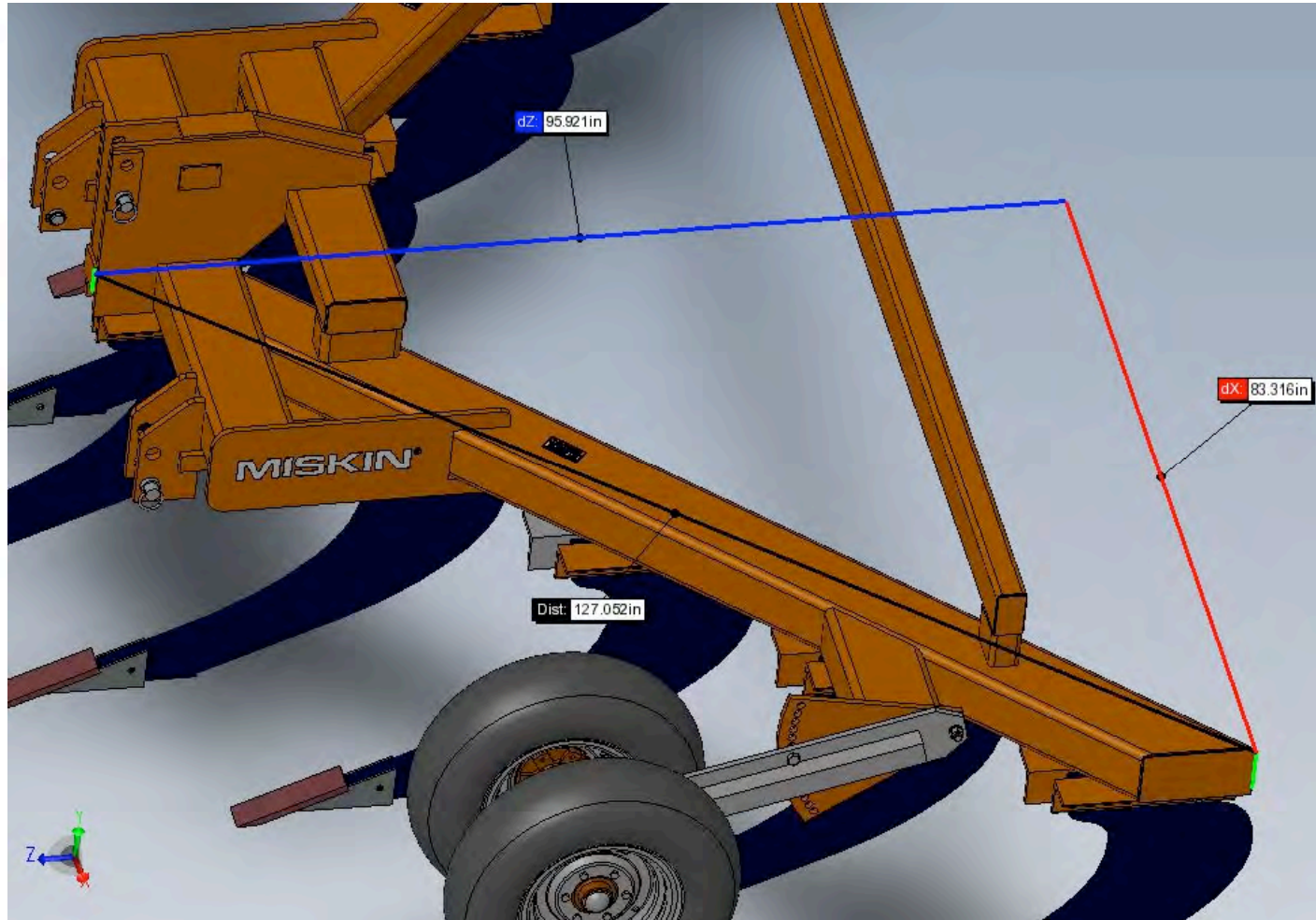


3-D Modeling





Metal Fabrication Capabilities

- Shear up to 7/8"
- Saw (high capacity)
- Plasma and Oxy CNC cutting 30'
- Press Brake (750 ton)
- Hole Punch
- Radial Drill (up to 20" column)
- CNC Mills and Lathe
- Large capacity lathes
- Welding
- Paint (oversize paint booth)